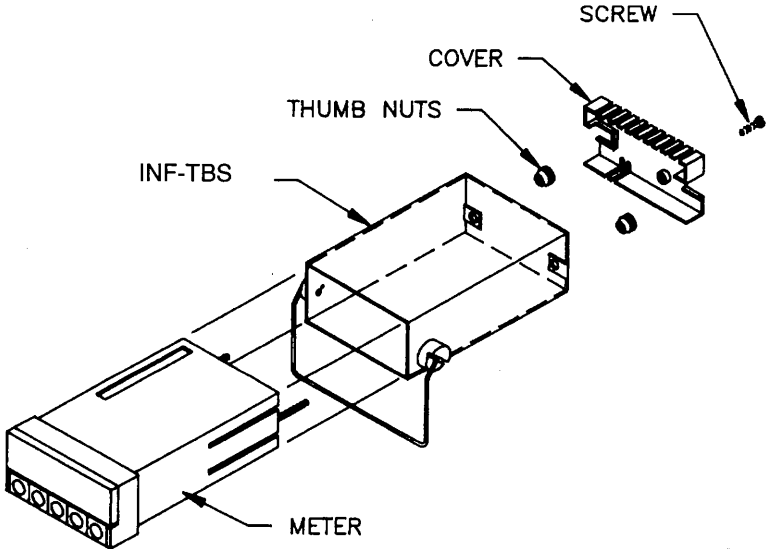


INF-TBS Table Bench Stand

INSTRUCTION
SHEET

M2270/N/0695



The Table Bench Stand has three available uses: (a) as a tilt stand for benchtop use, (b) as a carrying handle for portability, (c) folded flat for table and panel mount use.

To assemble:

1. Unplug the meter from the power source.
2. Remove the rear screw and cover.
3. Remove all wire connections. Be sure to label wiring sequence.
4. Remove the two thumb nuts.
5. Slide TBS sleeve onto meter.
6. Screw on the two thumb nuts.
7. Reconnect wire and connections.
8. Re-install rear cover.